

# The GLED device

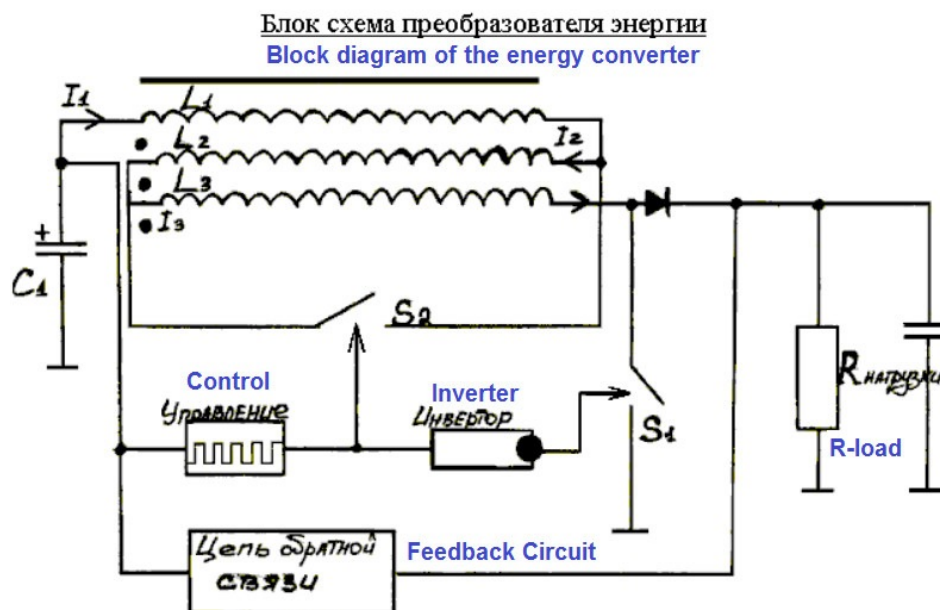
By Arend Lammertink, [lamare@gmail.com](mailto:lamare@gmail.com), 2024.

## Introduction

In a chat discussion, Serge Rakatskiy pointed me to a blogpost<sup>1</sup> by him from 2017, with a link to a video by Valdisch Pelscher<sup>2</sup> and the following description:

*“A device with an efficiency of more than 1 is designed and assembled. It works in a self-sustaining mode, while allocating an enormous amount of energy that goes to the glow of the incandescent lamp. .... Valery. free-energy@list.ru”*

This led to a Russian document, “Energy Generator with Nonlinear Inductance” in English, by V.G. Lapin from 2007 with a/o this block diagram:



The idea described in this document:

**“At time  $t_1$ :**

The current from the pre-charged capacitor  $C_1$  flows through  $L_1$ ,  $L_2$ , and  $L_3$ , with

1 <https://rakatskiy.blogspot.com/2017/12/generator-of-energy-on-nonlinear.html>

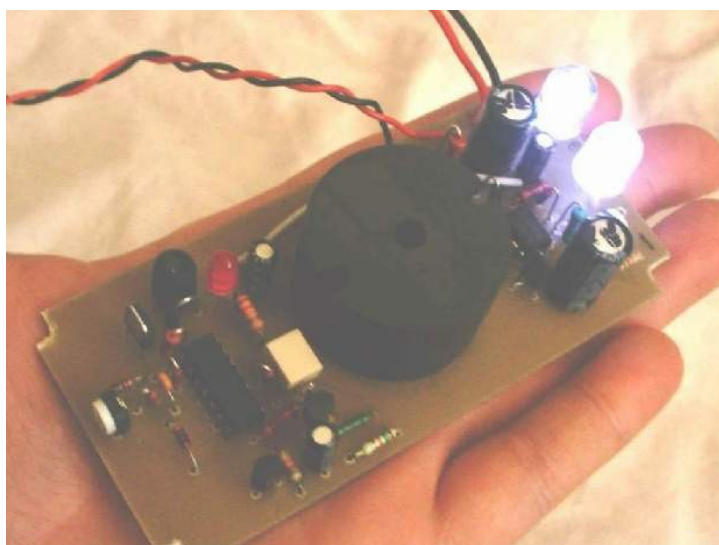
2 <https://youtu.be/PoGfSDbnwbk?si=cAsmXIJP6BgIjjPG>

switch S1 closed. At the same time, S2 is open. Since L1 and L2 are connected in anti-phase (meaning energy accumulation in L1 and L2 does not occur, as their magnetic fields cancel each other out), energy accumulation takes place in coil L3.

**At time t2:**

Switch S1 opens, and switch S2 closes. As a result, an EMF appears in coils L1 and L3 (since S2 is closed). Coils L1 and L3 are in-phase (while in anti-phase, the EMFs cancel out, but in in-phase, they add up). Since the current in the coils is the same, we consider the generated EMF at time t2 to be twice the energy spent on accumulation at t1.”

The document also contains this picture of the device:



What the document describes, is an analysis by Lapin of what has been labeled the “GLED” device by Chris at aboveunity.com<sup>3</sup> in reference to “Akula’s circuits”. And then there’s Renahrss<sup>4</sup>, who also has a YouTube channel<sup>5</sup>.

---

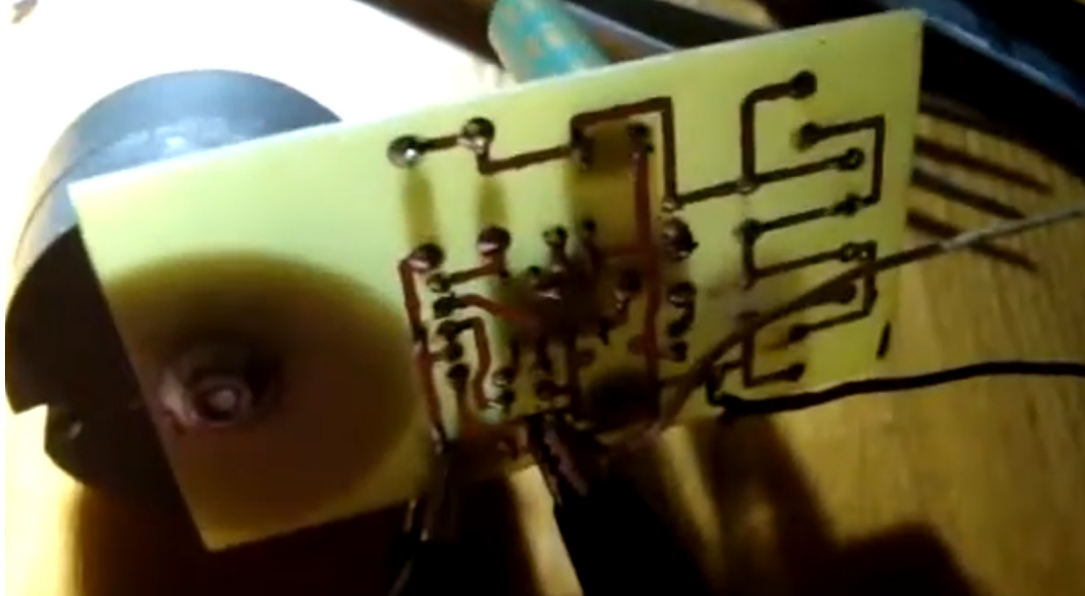
3 <https://www.aboveunity.com/thread/akula-s-circuits-is-this-the-principle/>

4 <https://renuar.blogspot.com/>

5 <https://www.youtube.com/@renuar.blogspot>

The original source of the device appears to be Valid Guk aka Delamorto, of whom a number of YouTube videos have been saved by Aboveunity<sup>6,7,8,9</sup> in this thread<sup>10</sup>.

There are multiple versions of the device being described here<sup>11</sup>, but the photographs do not seem to match with Delamorto's video's and there appears to be an earlier version in video 1:



In video 4, the coil is being dismantled. When the video is carefully examined, it is visible that there are two wires in at least one of the leads:



6 [https://youtu.be/2ye6\\_JZGKPA?si=CiwSm4sVx4VruYMs](https://youtu.be/2ye6_JZGKPA?si=CiwSm4sVx4VruYMs)

7 <https://youtu.be/RANdqb0SUFg?si=3P3qRkee7gPOZMbu>

8 <https://youtu.be/elRoiia9A0c?si=8Lnmg9ZPrVM3k2Rx>

9 <https://youtu.be/UOjE0ExJVJI?si=DMhidaI-xaUfbZWM>

10 <https://www.aboveunity.com/thread/non-inductive-experiment/>

11 <https://www.hyi.org/Research/Details?Name=Power%20Generator%20in%20the%20Nonlinear%20Inductance>

From video 2, it appears that the other lead consists of only one wire:



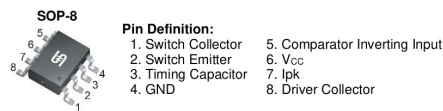
There appears to be only one pad near the 8 pin IC. Next to that pad, there's an unused pin header:



This appears to be connected to pin 8 of the 8 pin IC, which is believed to be a TS34063<sup>12</sup> Inverting Regulator for Buck, Boost, and Switching applications,

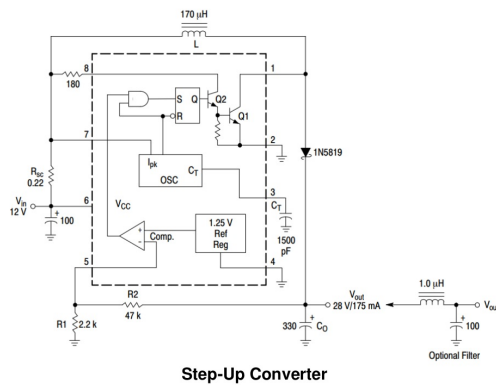


while the unused pin header is connected to pin 1, along with a diode.



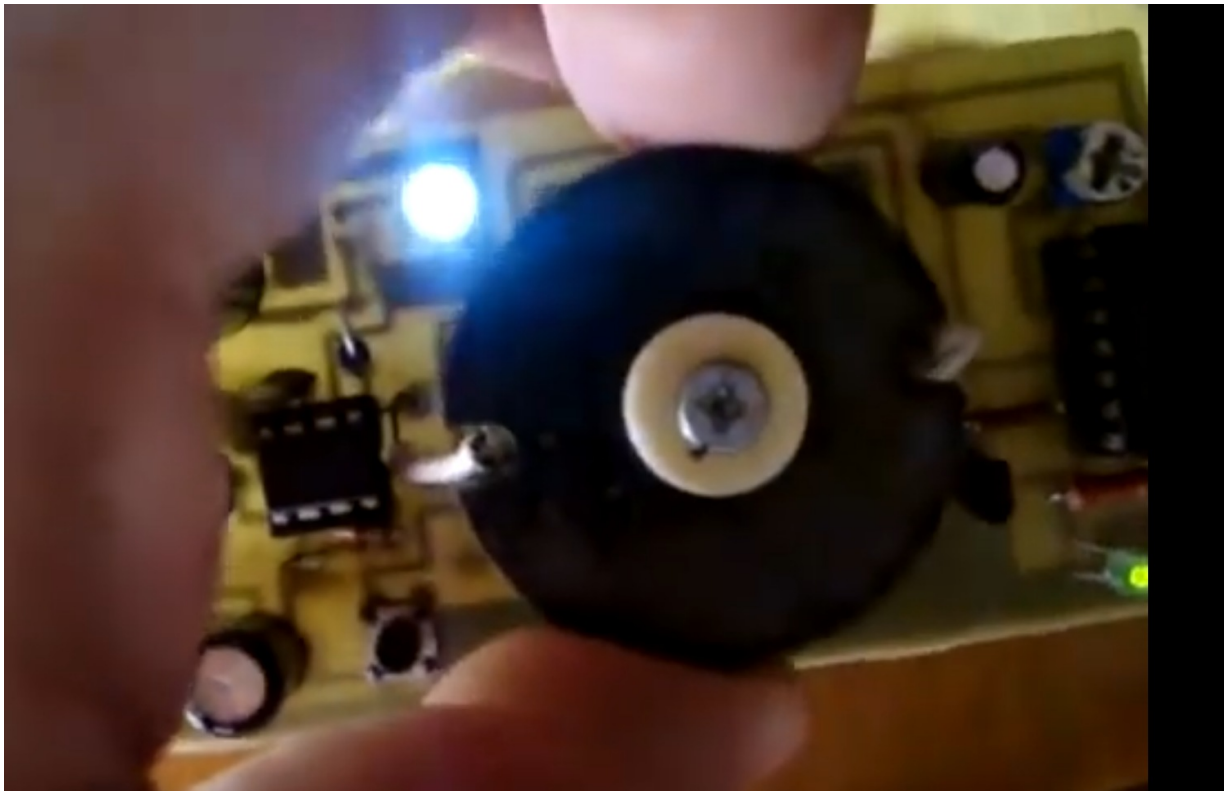
Note: MSL 3 (Moisture Sensitivity Level) per J-STD-020

**TYPICAL APPLICATION CIRCUIT**



12 [https://www.mouser.com/datasheet/2/395/TS34063CS\\_C2103-2822182.pdf](https://www.mouser.com/datasheet/2/395/TS34063CS_C2103-2822182.pdf)

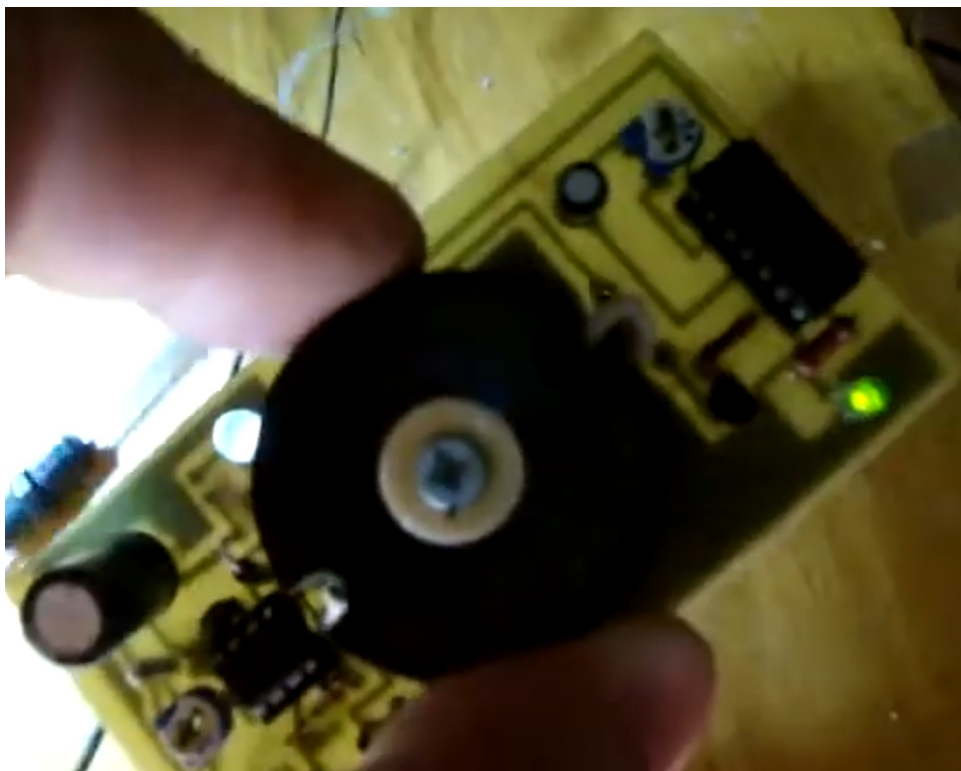
In video 3, some clear pictures of the PCB traces:



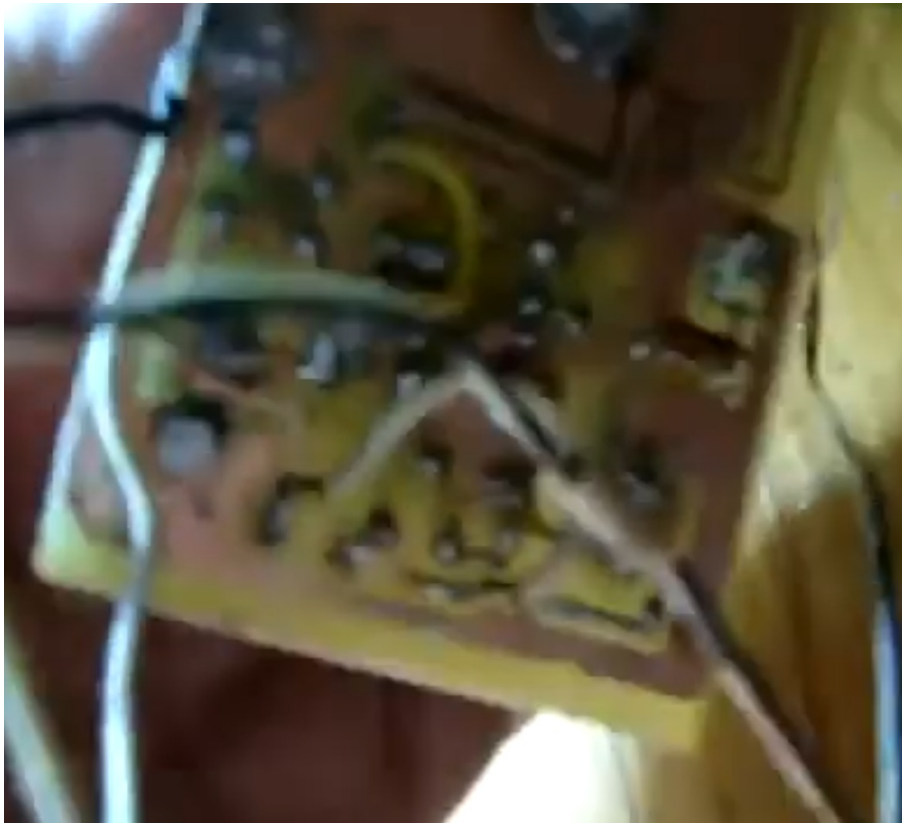
In this screenshot, it can be clearly seen that the unused pin header is not present in this version and it appears a wire bridge towards the single coil lead to pin 8 has been put in place:



A pretty clear view on the pcb part around the 8 pin IC:



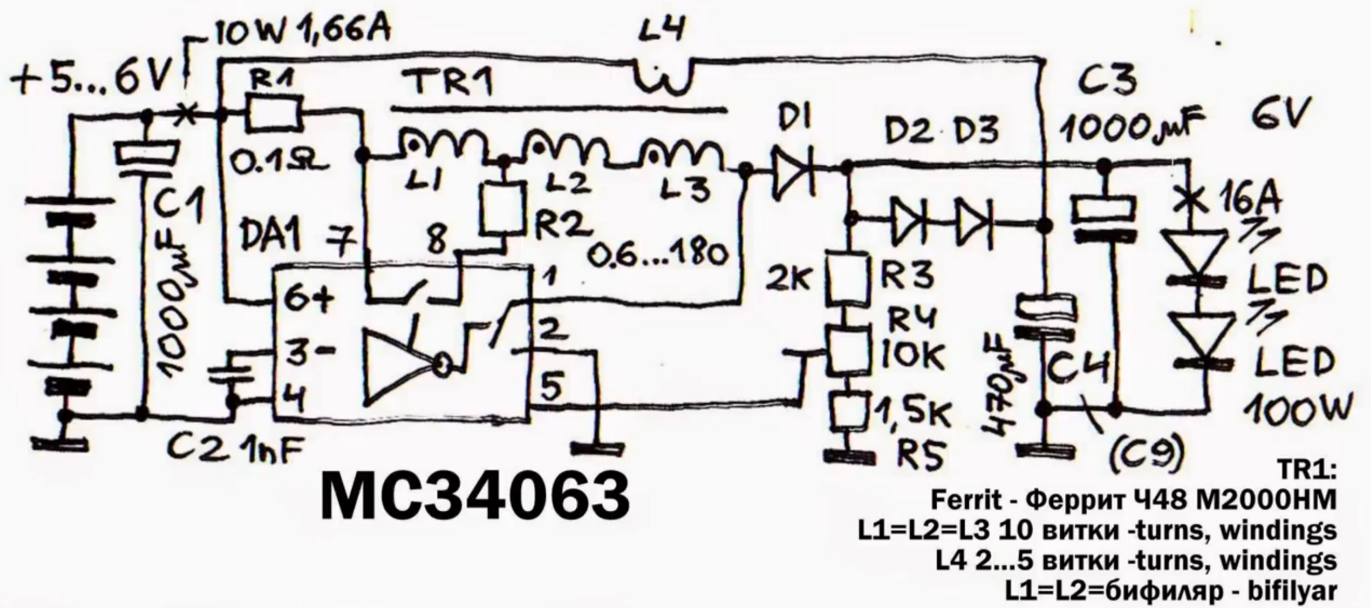
A less clear view on the bottom part around the 8 pin IC:





**DELAMORTO Current amplifier**

<https://www.youtube.com/watch?v=HiowPTYwCnU>



FreeEnergyLT [http://youtu.be/qEBm\\_XeTt7M](http://youtu.be/qEBm_XeTt7M)  
<http://realstrannik.com/forum/freeenergyit-antanas/15-usilitel-toka.html#116>

Вадик Гук = DELAMORTO <http://youtu.be/tbFxiTz-Od8>

Принципиальная схема DELAMORTO  
 Principal scheme DELAMORTO

Copy at: <https://www.youtube.com/watch?v=pMCzhv7VWec> , with some more links.

Refers to this channel as the original author:

<https://www.youtube.com/channel/UCL752L34jpBtDKwv8HETqIlg/videos>

No new video's since 10 years, close up of his device:

<https://www.youtube.com/watch?v=aBggg7cXPIw>

This is the YT channel of Delamorto:

<https://www.youtube.com/channel/UC3TN2P5gnS3I3mm-Of53eqQ>

<https://dzen.ru/delamorto>

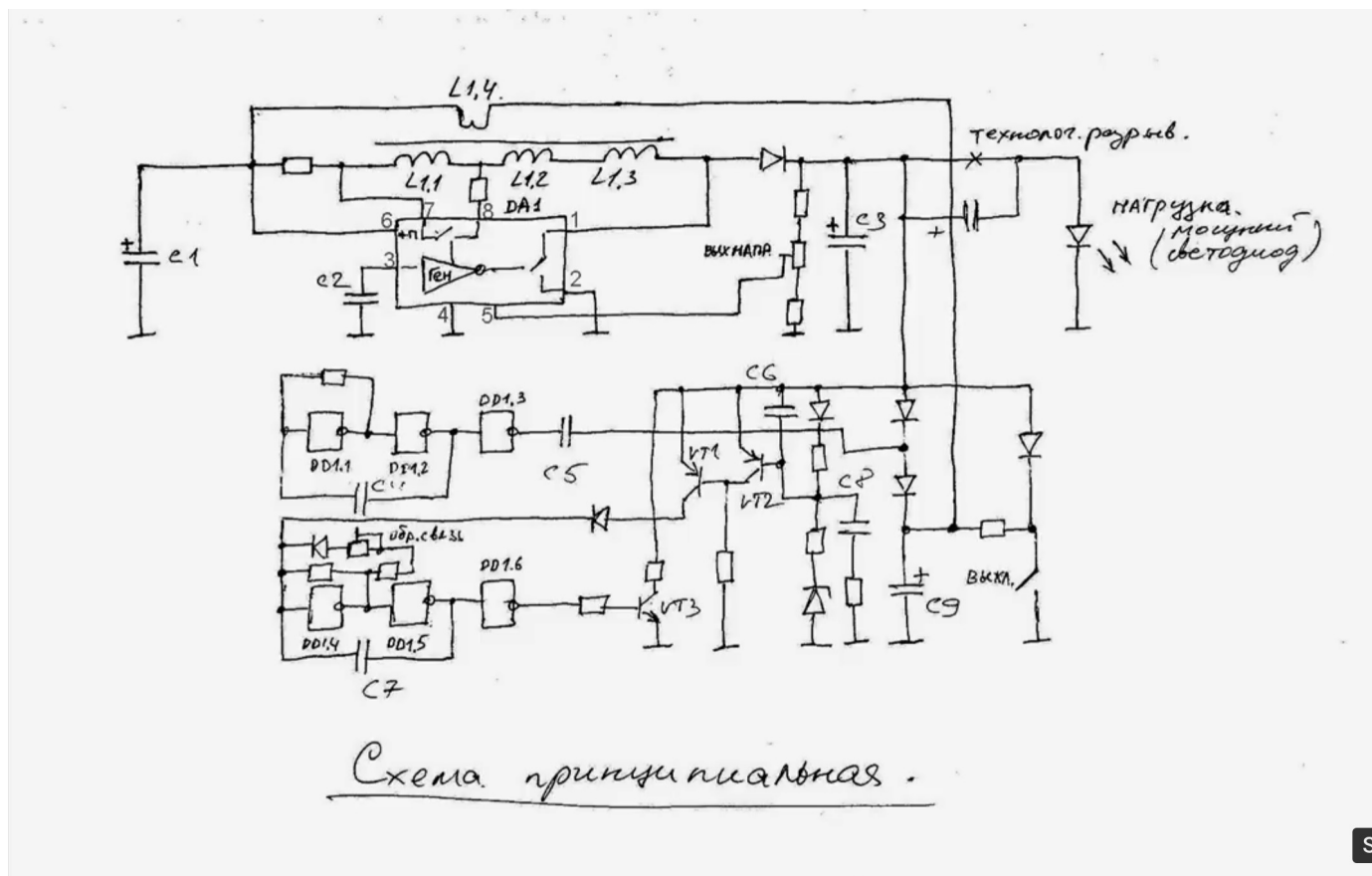
Interesting demo:

<https://www.youtube.com/watch?v=L2uqBjvB150>

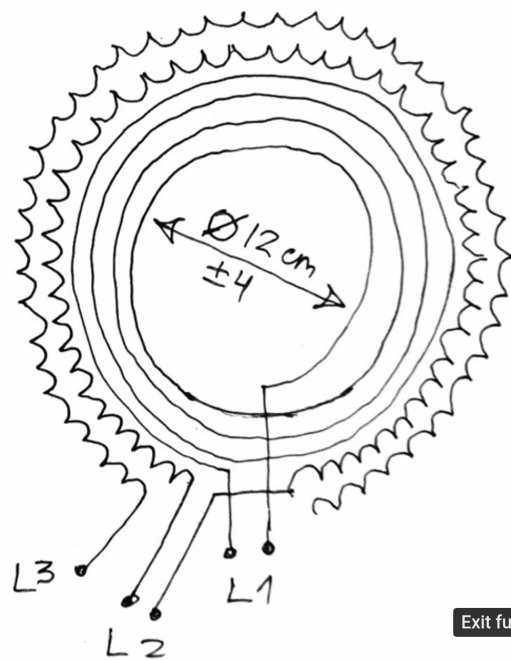
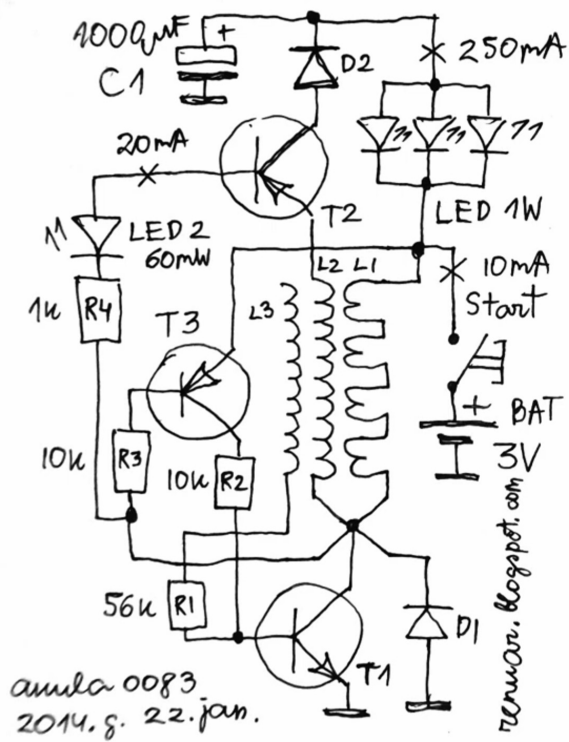
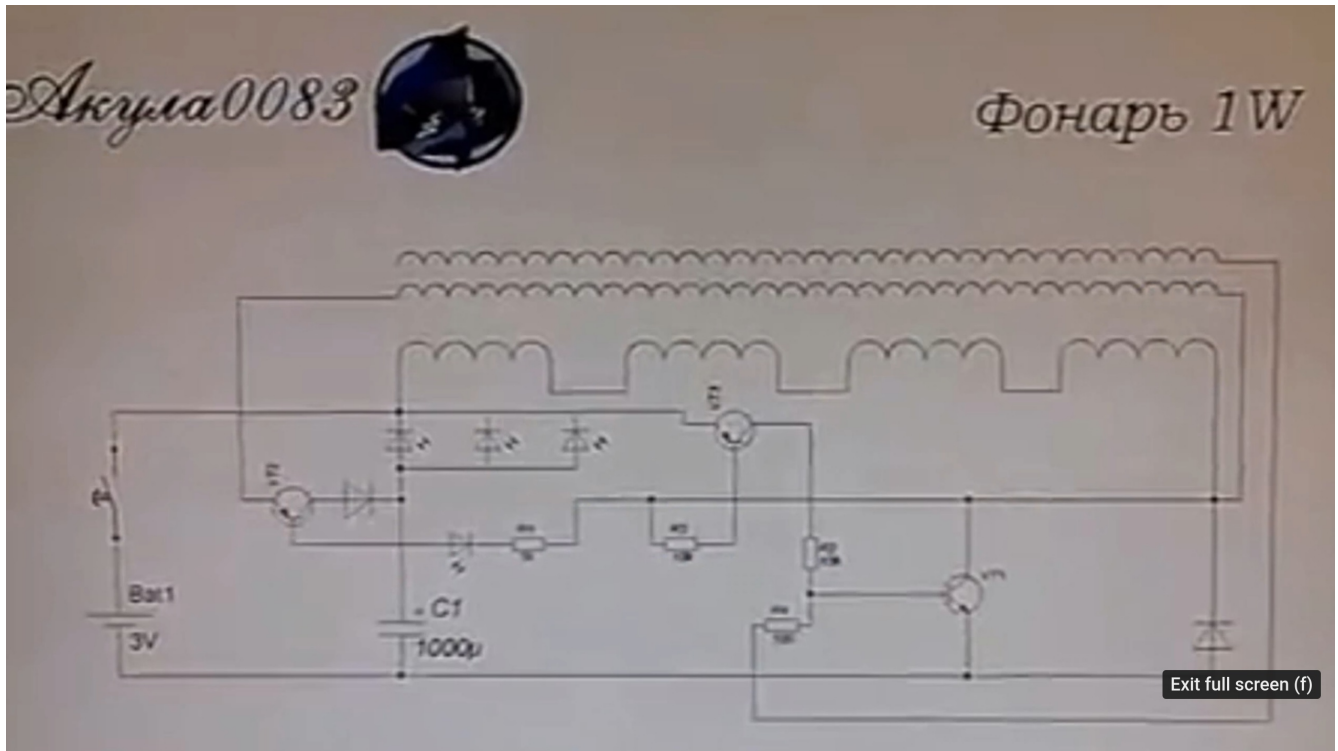
<https://www.youtube.com/watch?v=D4IkEE2Mbkc>

[https://www.youtube.com/watch?v=qEBm\\_XeTt7M](https://www.youtube.com/watch?v=qEBm_XeTt7M)

Just this schematic:




Another variation, linked from <https://www.youtube.com/watch?v=L2uqBjvB150> :  
<https://www.youtube.com/watch?v=e0hB3wcSxYw&t=0s>

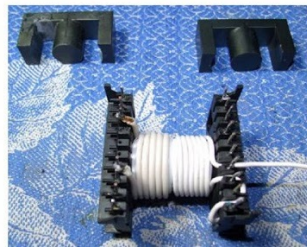
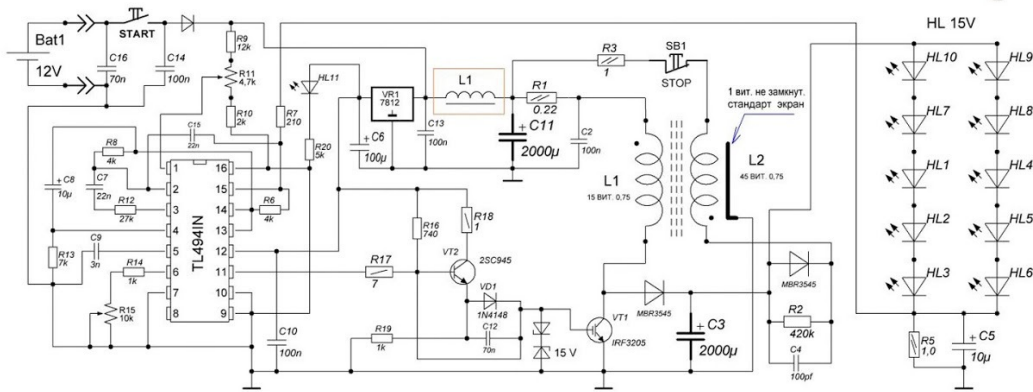


More detailed schematics on his blogspot:

<http://renuar.blogspot.com/2014/02/reala-brivas-energijas-shema-2.html>

Аккумулятор 0083 

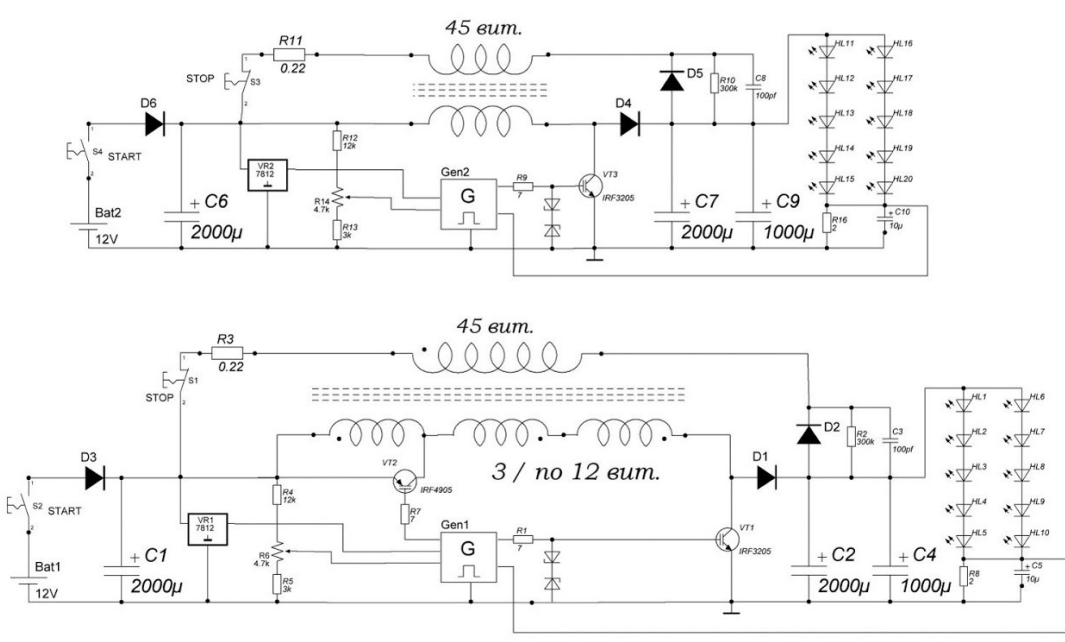
Фонарь 30W 



Акула0083



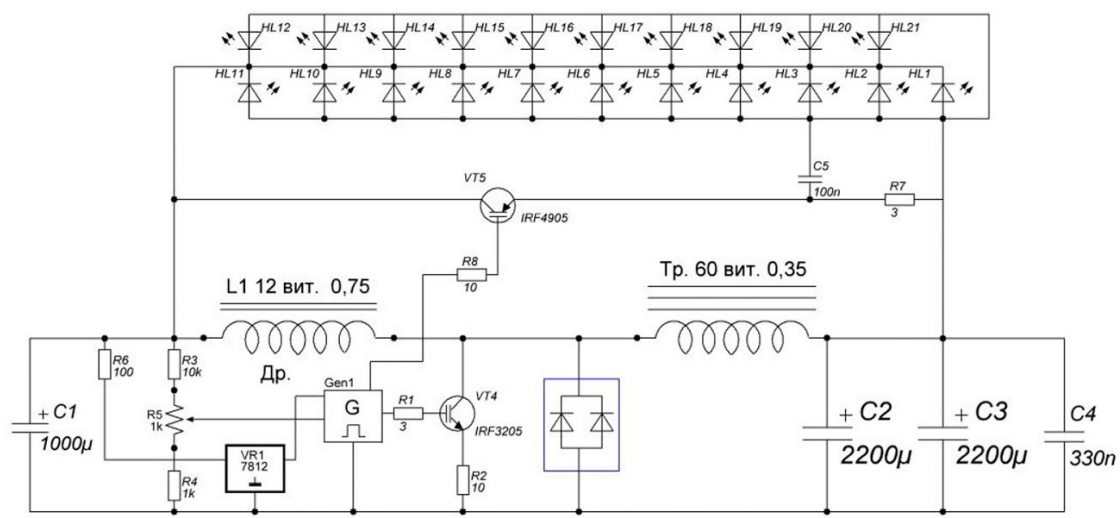
Фонарь 60W



Акула0083

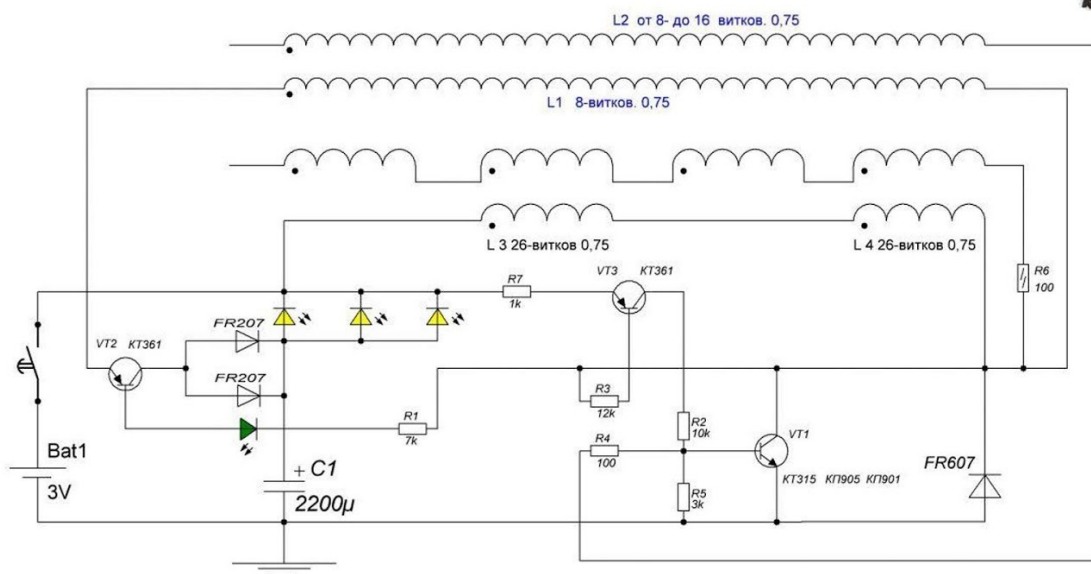


Фонарь 80W



Акула0083 

Фонарь 1W 



On this blog post <http://renuar.blogspot.com/2014/04/real-feiks-un-es-ta-cereju-uz-so.html> he talks about the device in some of the video's above:

### Real Free Energy Circuit 3 - Is it real or just a fake?

**History:** Real Free Energy Circuit and Real Free Energy Circuit 2

**Reality:** A "Maidan" (chaotic situation) in the field of free energy in Kyiv – everyone wanted everything, and they all got duped...

Apologies if my promotions led you to rush and purchase this PRS device; I could have been among you. I honestly believed in this circuit. Maybe they set it up to destroy everything and cause disgust, to make us lose interest in this topic altogether. We can't know all the materials, ferrite!!!, and the multifaceted applications in pulse devices and which conditions or environments are required. Should it be placed in an H-container, or is propane enough? They're supposed to be used. But perhaps some manipulator, a fake author, professionally deceived everyone!

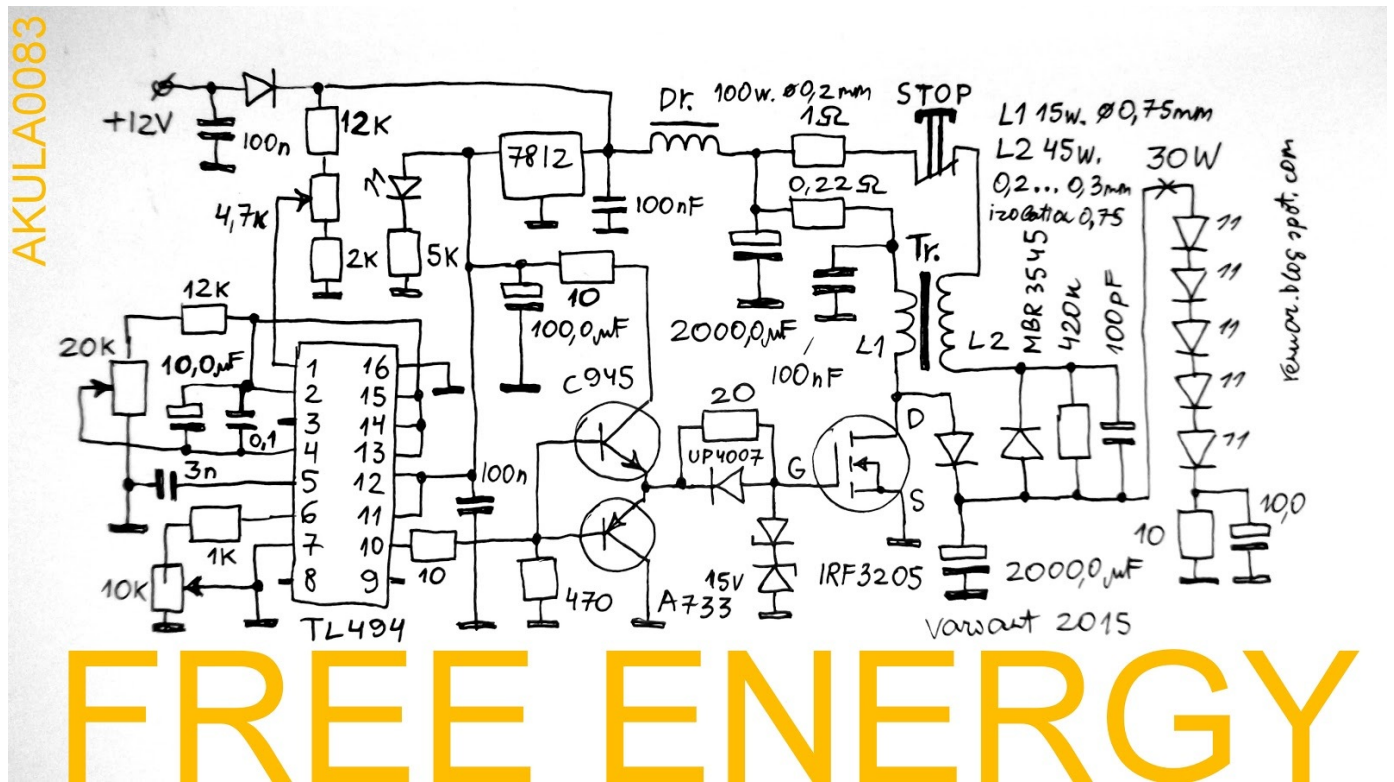
I waited all of April and March for a real review of this device, and finally received:

<https://www.youtube.com/watch?v=d5OqqyuKlJE>

**Author:** <https://www.youtube.com/watch?v=t3jfH85m3BY>

**Sergei's Perpetual Flashlight – Fake Exposed**

And another schematic on <http://renuar.blogspot.com/2015/06/visrealaka-brivas-energijas-shema.html>



This schematic comes from this video:

<https://www.youtube.com/watch?v=5P8a52hQrw4>



# **Video material**